

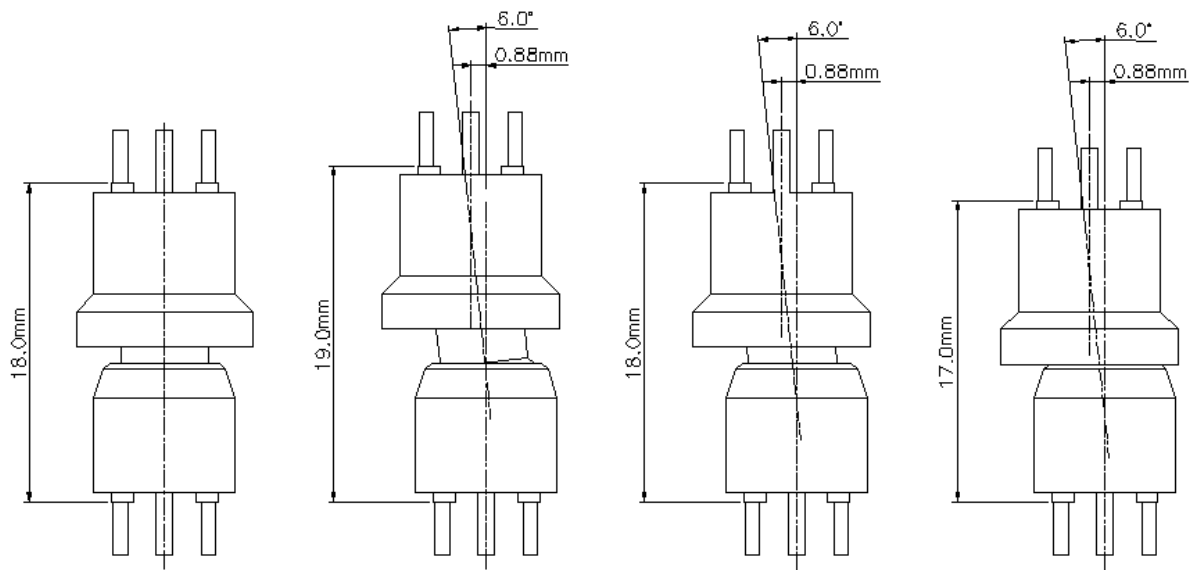
Product specifications

TBM Connector

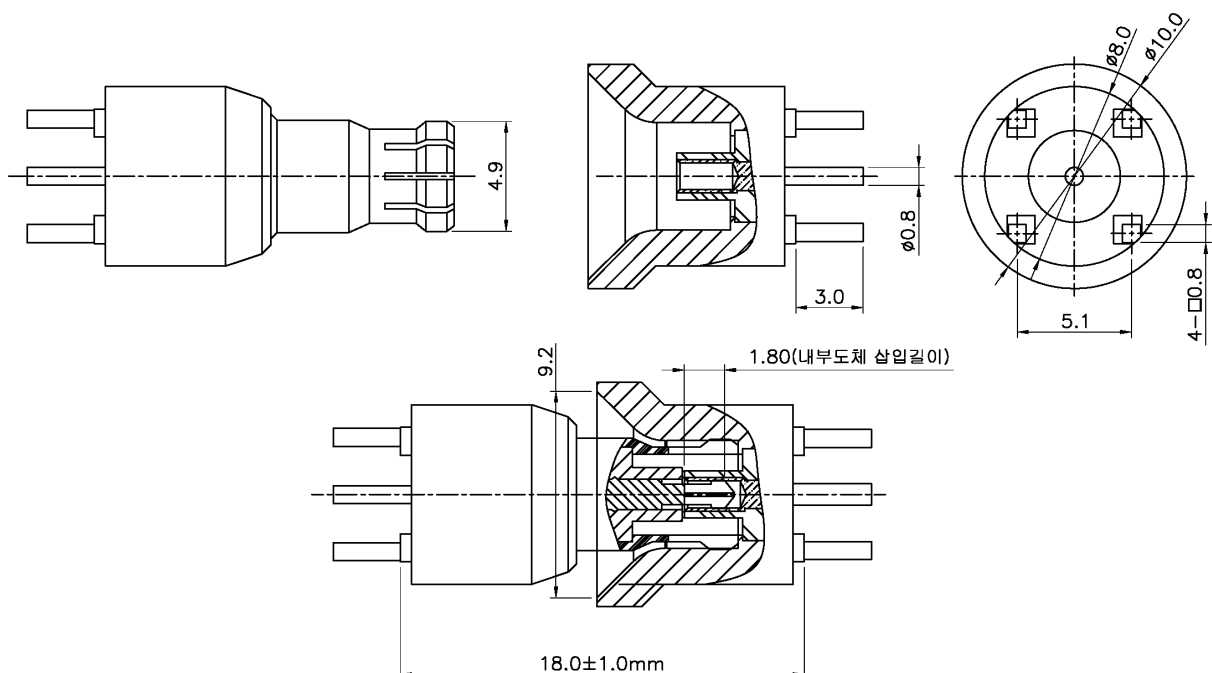


PERFORMANCE

Misalignment & B to B distance tolerance



APPEARANCE



Product specifications

TBM Connector



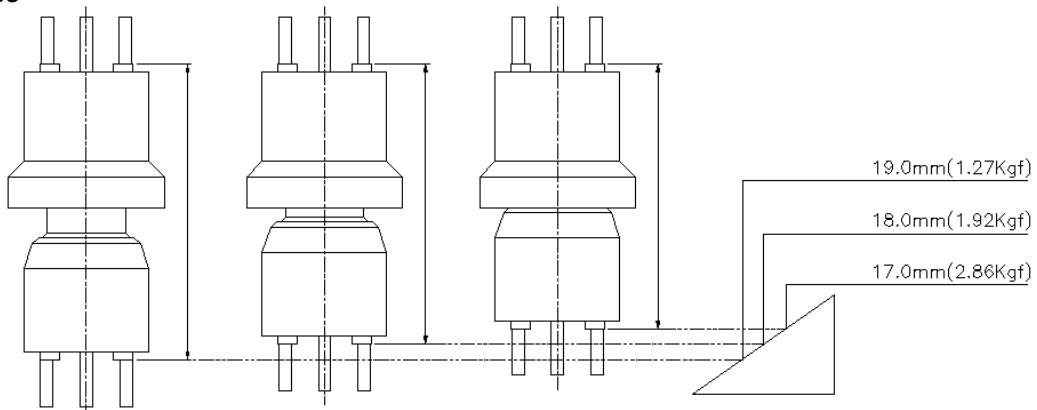
ELECTRICAL CHARACTERISTICS

Item	Specifications
Impedance (Ohm)	50
Frequency Range	dc – 6GHz
Typical VSWR	≤ 1.10 @ 3GHz
	≤ 1.25 @ 6GHz
Insertion Loss	≤ 0.1dB (pair) @ 1GHz
Insulation Resistance	≥ 5000MΩ
Dielectric withstanding voltage	1000 Vrms
Contact resistance	center contact
	outer contact
Power	300w @2.7G, 25°C

MECHANICAL CHARACTERISTICS

Item	Specifications
Durability	100 matings
Engage / Disengage	0.3 ~ 0.8Kgf
Spring Force	1.27 - 2.86Kgf
Dimension	
Board to Board distance	18.0mm
Board to Board distance tolerance	± 1.0mm
Misalignment tolerance	± 0.8mm

Spring Force



MATERIAL & SURFACE TREATMENT

Item	Specifications
Center contacts	Brass / Au Plating
Outer	Brass or Beryllium copper / TCP Plating
Insulators	PTFE
Spring	SWP / Ni Plating